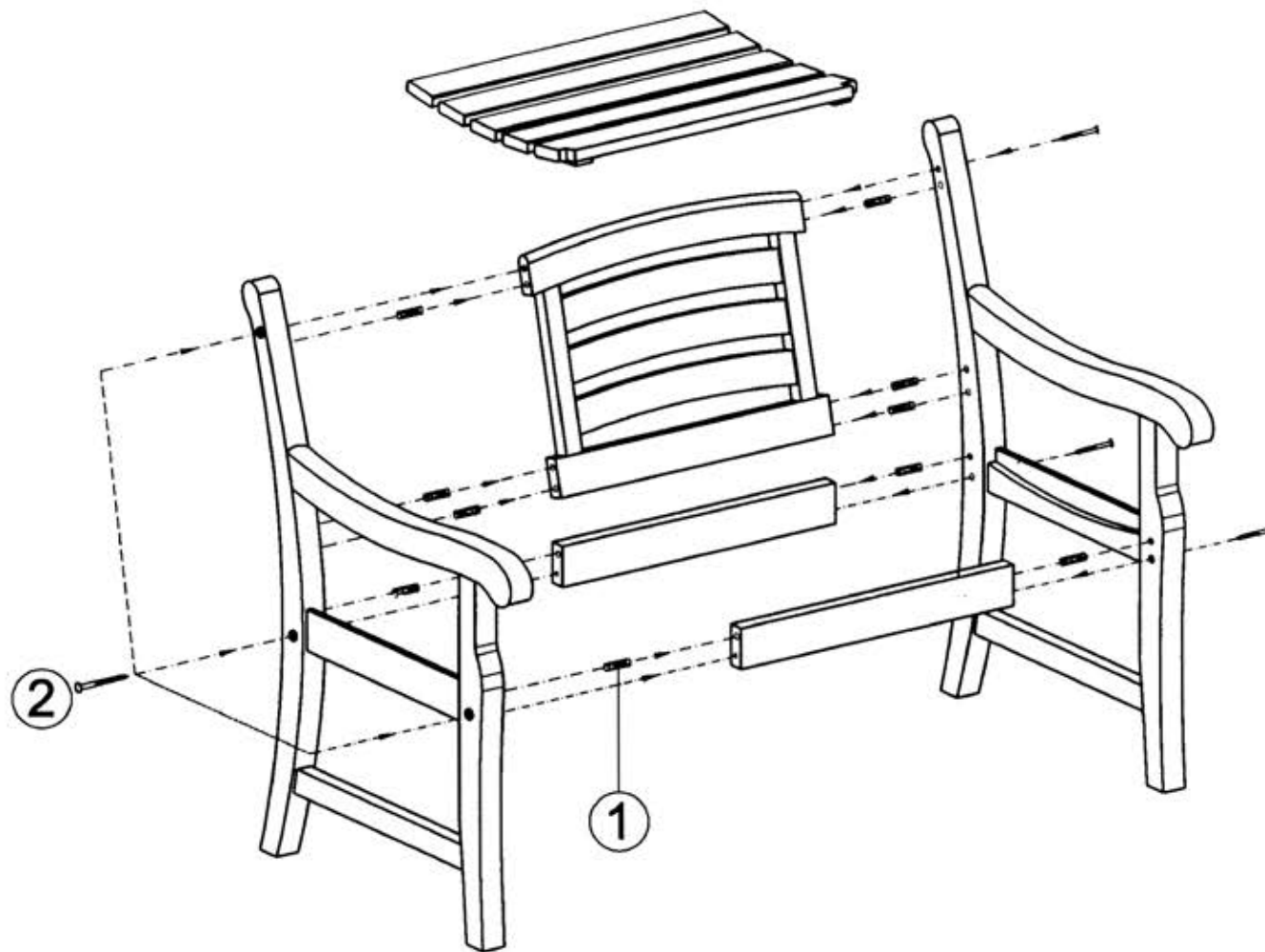


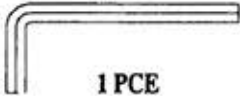


# ASSEMBLY INSTRUCTION



- ①   
(  $\phi$  10 x 40 )mm x 10 Pcs
- ②   
( M7 x 90 )mm x 6 Pcs
- ③   
1 PCE