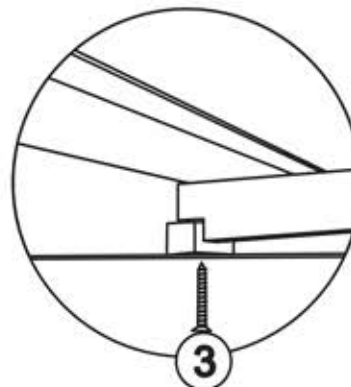
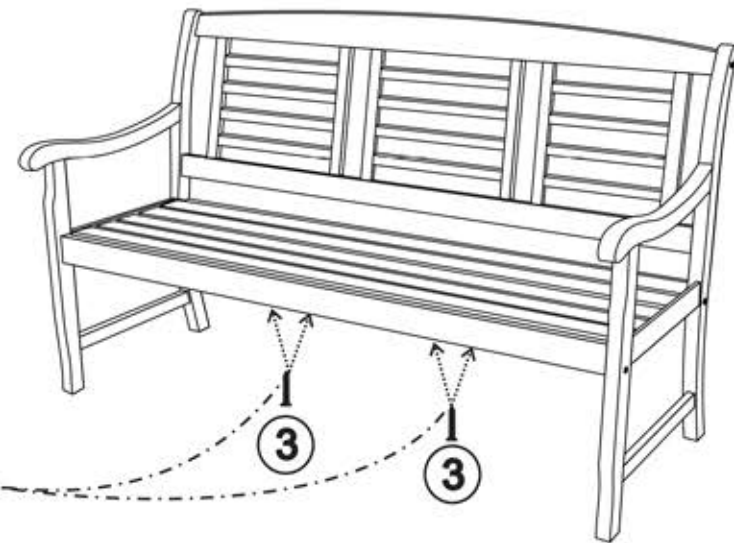
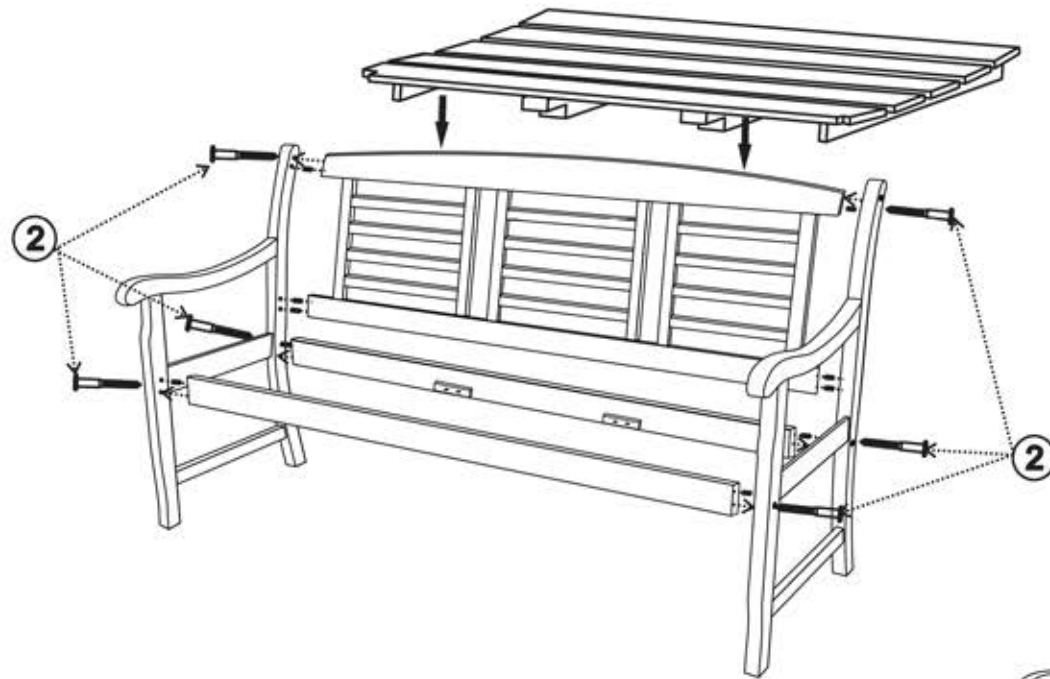



ASSEMBLY INSTRUCTION



① 
(Ø 10 x 40) mm x 10 Pcs

② 
(M7 x 90) mm x 6 Pcs

③ 
(M4 x 35) mm x 4 Pcs

④ 
1 Pcs