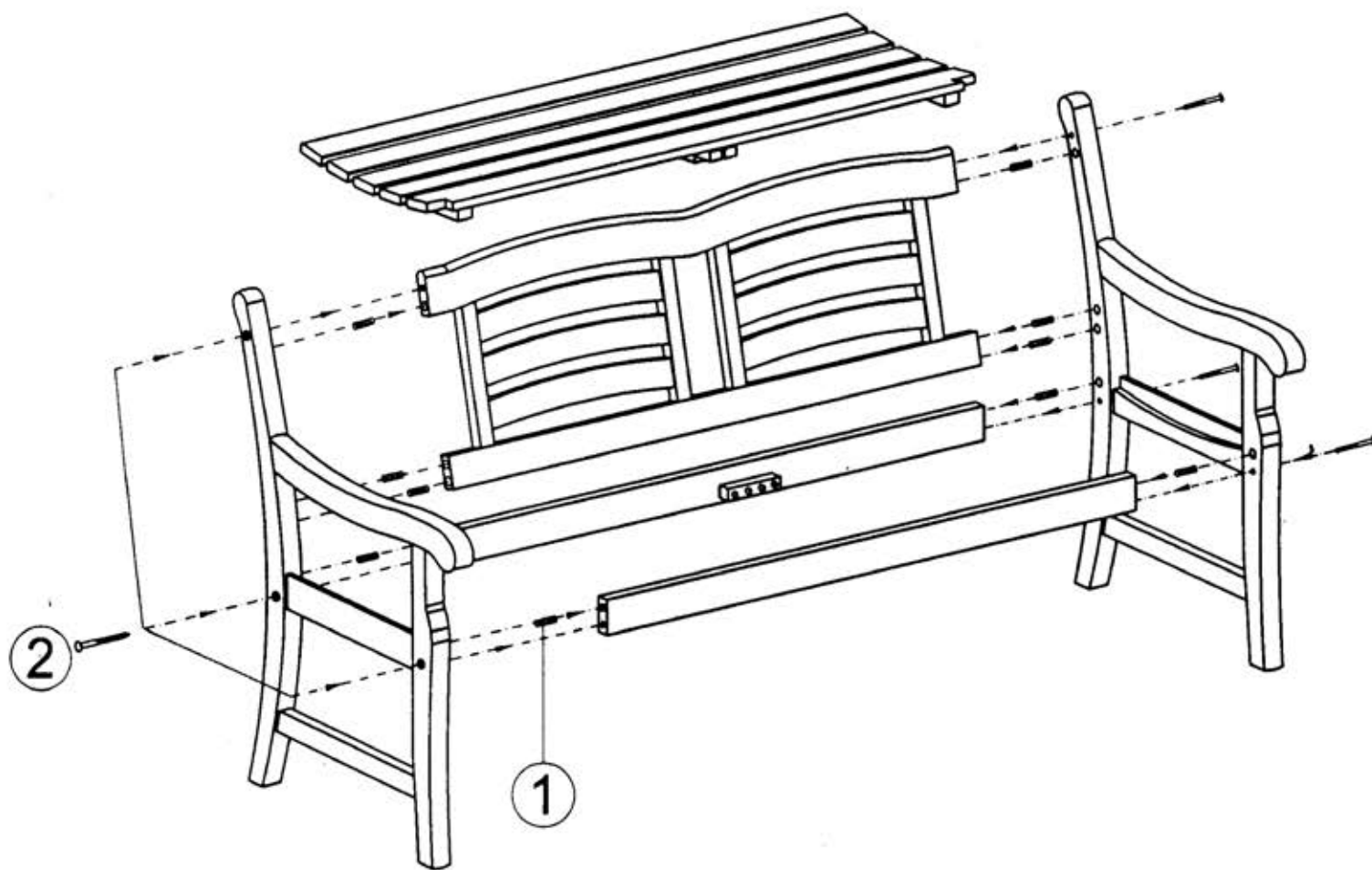


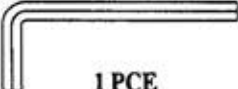


ASSEMBLY INSTRUCTION



- ① 
(ϕ 10 x 40)mm x 10 Pcs
- ② 
F-SCREW(7 x 90)mm x 6 Pcs
- ③ 
1 PCE