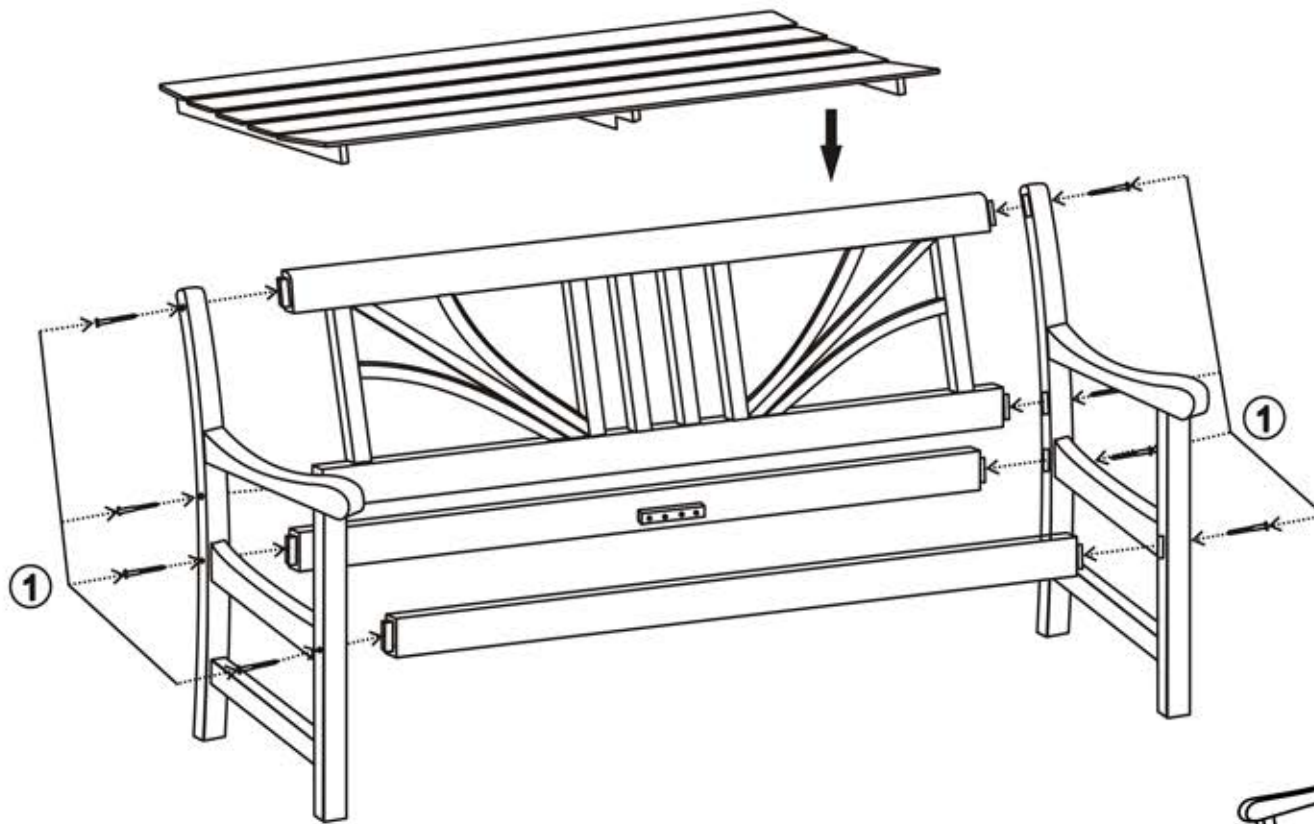





ASSEMBLY INSTRUCTION



- 1**  (M7 x 90) mm x 8 Pcs
- 2**  (M4 x 35) mm x 2 Pcs
-  1 Pcs

