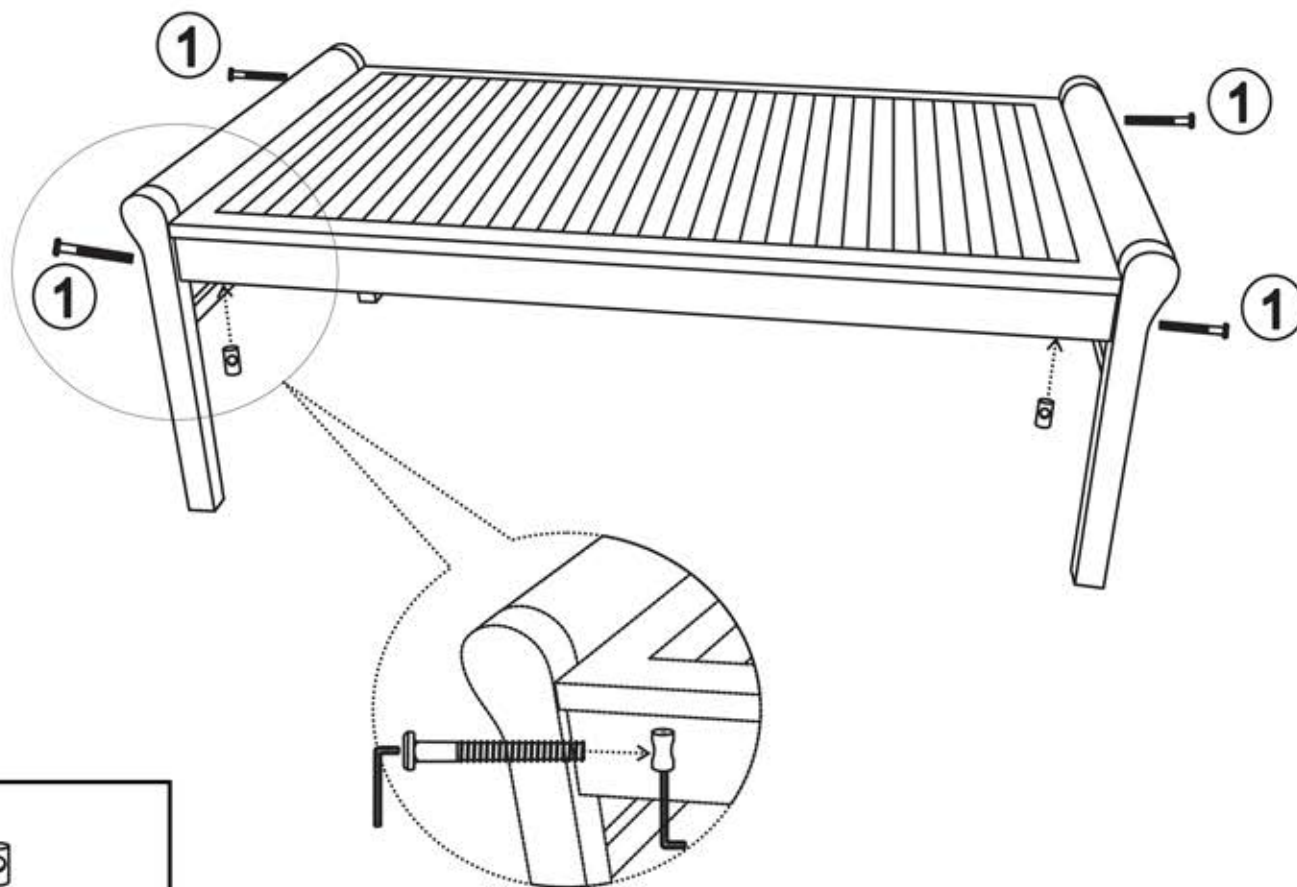



ASSEMBLY INSTRUCTION



① 
(M6 x 80) mm x 4 Pcs


2 Pcs