

Assembly Instructions

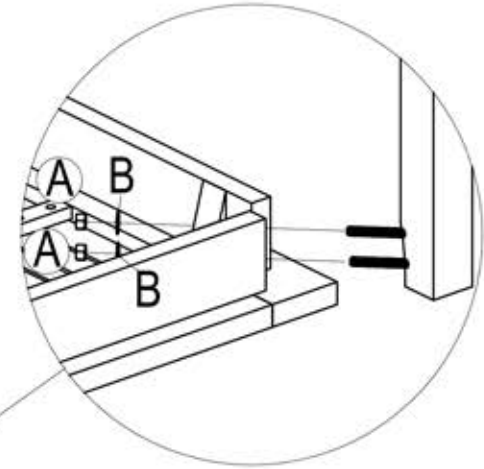
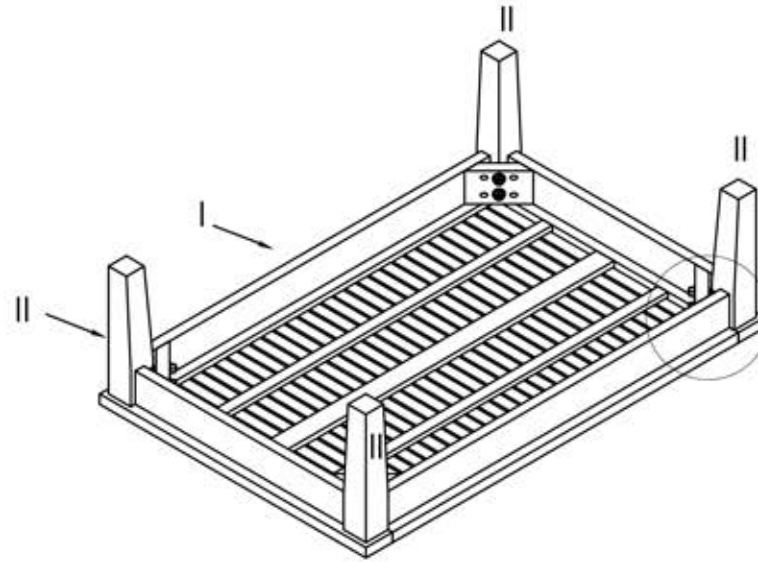


I. x1



II. x4

1



2

A



x8

B



x8



x1

