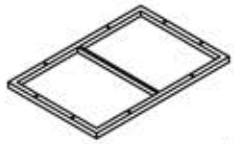


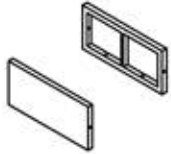
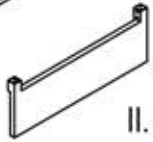
Assembly Instructions



I. x1



II. x2

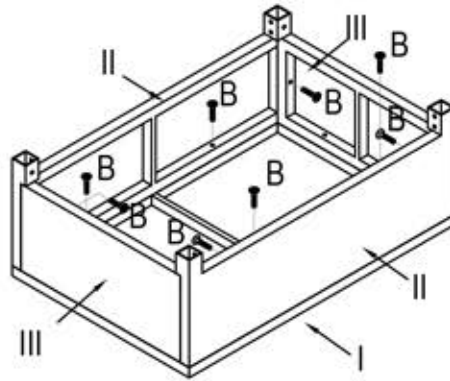


III. x2

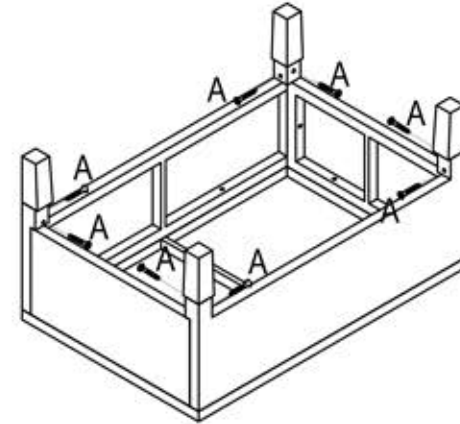


IV. x4

1



2



3

A  6x35 x8

B  6x30 x8

 x2

