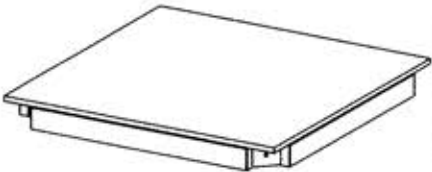
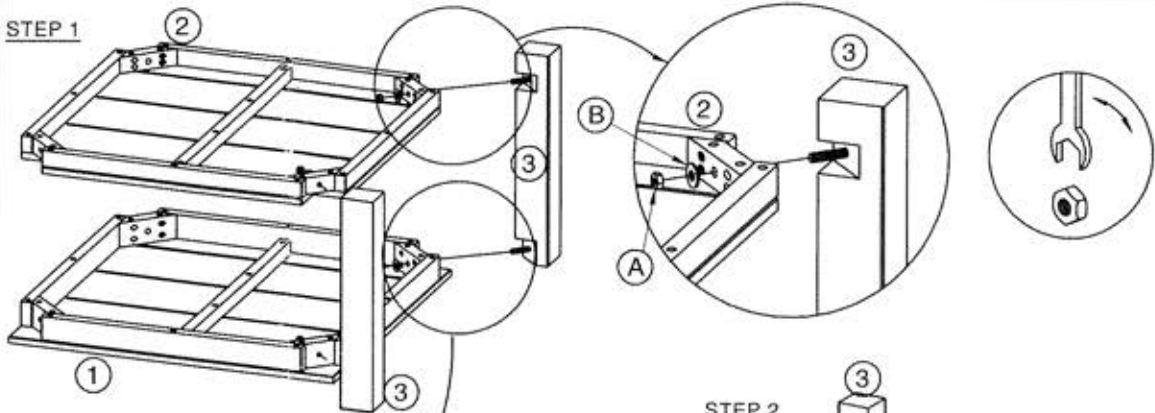
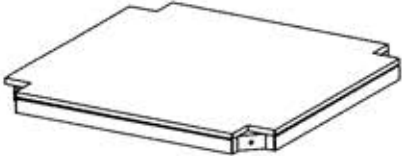
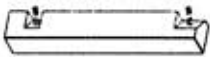

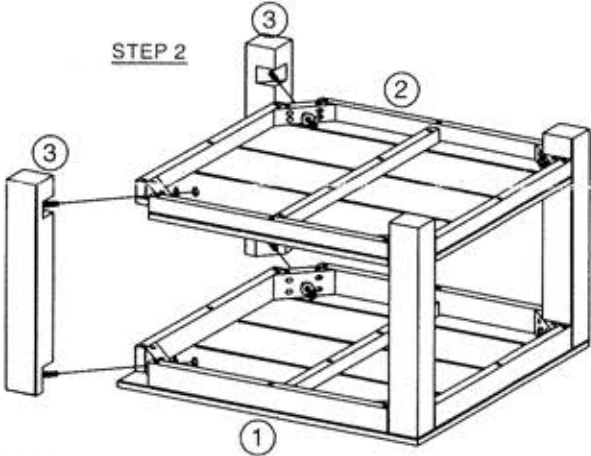

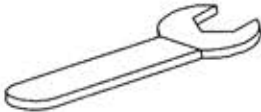


No.	Qty.	Components	ASSEMBLY INSTRUCTIONS	
1	1		<p>STEP 1</p> 	
2	1			
3	4			
No.	QTY	HARDWARE LIST		
A	8		<p>STEP 2</p> 	
B	8			
C	1			
			<p>FINISH</p> 