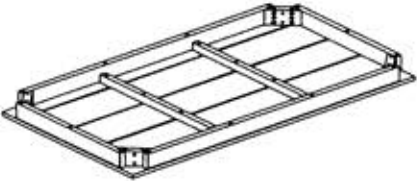

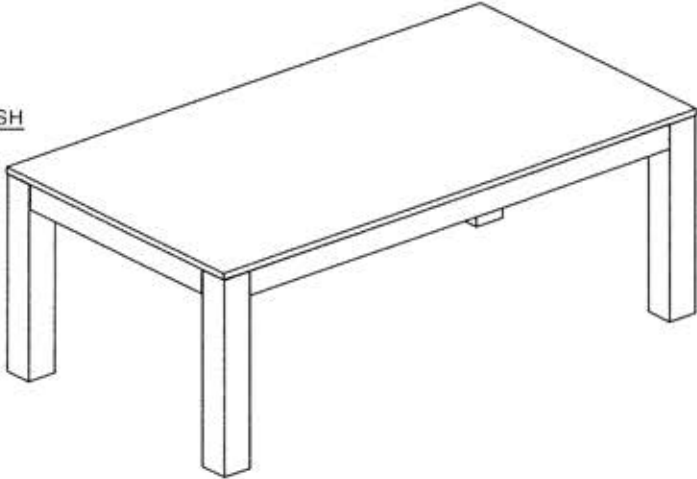




			ASSEMBLY INSTRUCTIONS	
No.	Qty.	Components		
1	1		<p>STEP 1</p>	
2	4			
No.	QTY	HARDWARE LIST	<p>FINISH</p> 	
A	8	 <p style="text-align: right;">M8</p>		
B	8	 <p style="text-align: right;">(Ø8.5xØ20x2)mm</p>		
C	1	