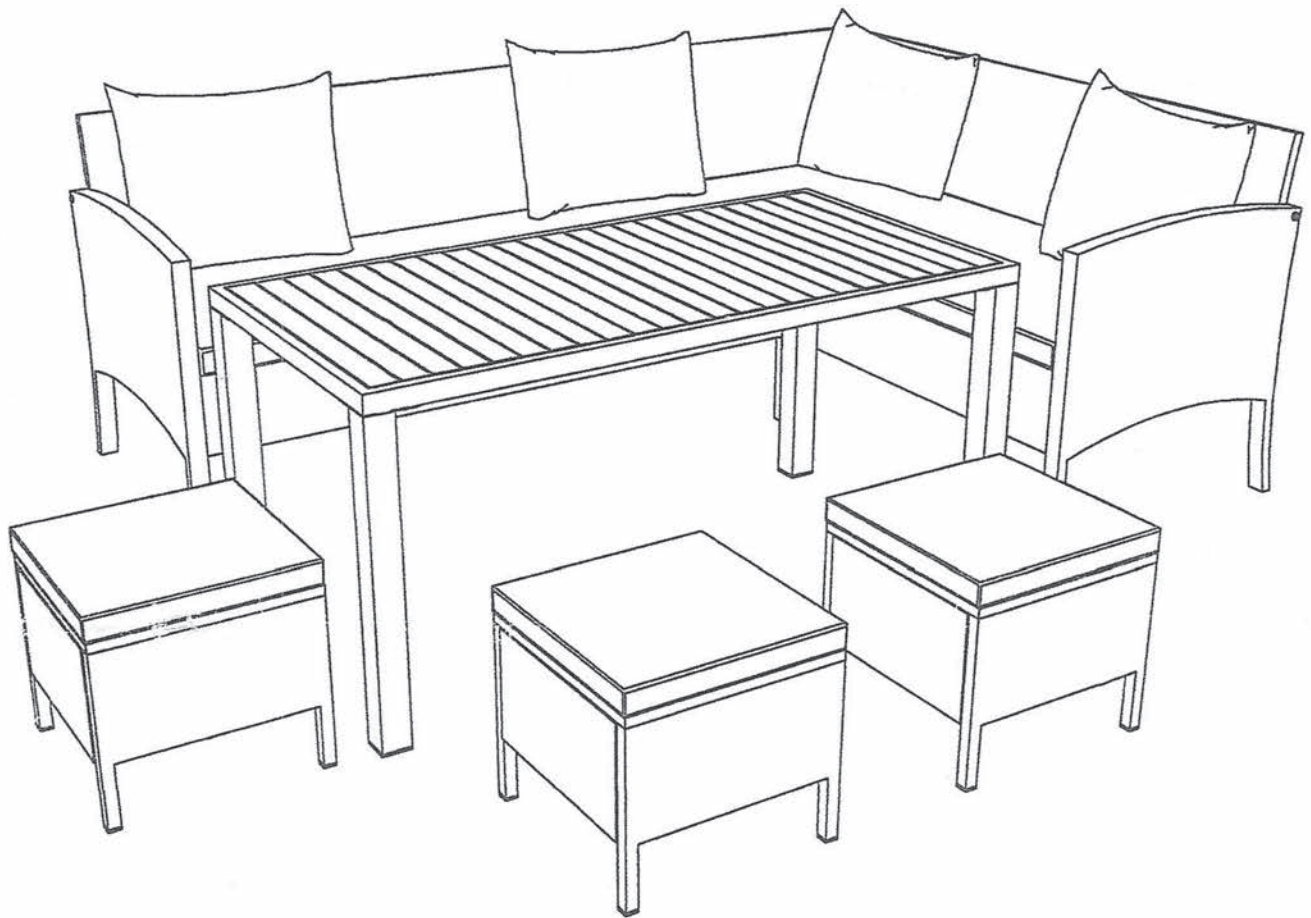


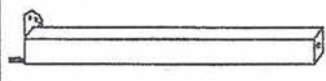
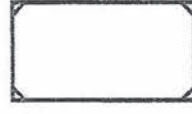



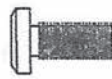

ASSEMBLY INSTRUCTIONS
GARDEN TABLE SET

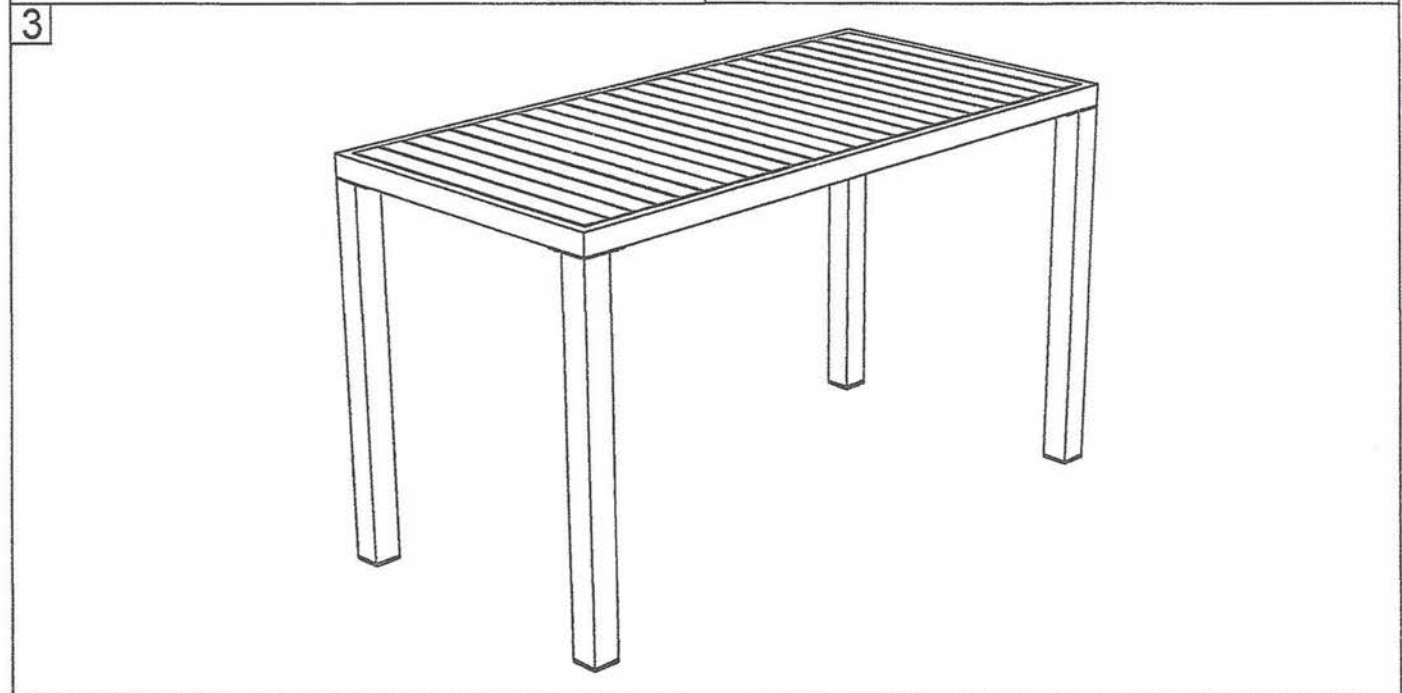
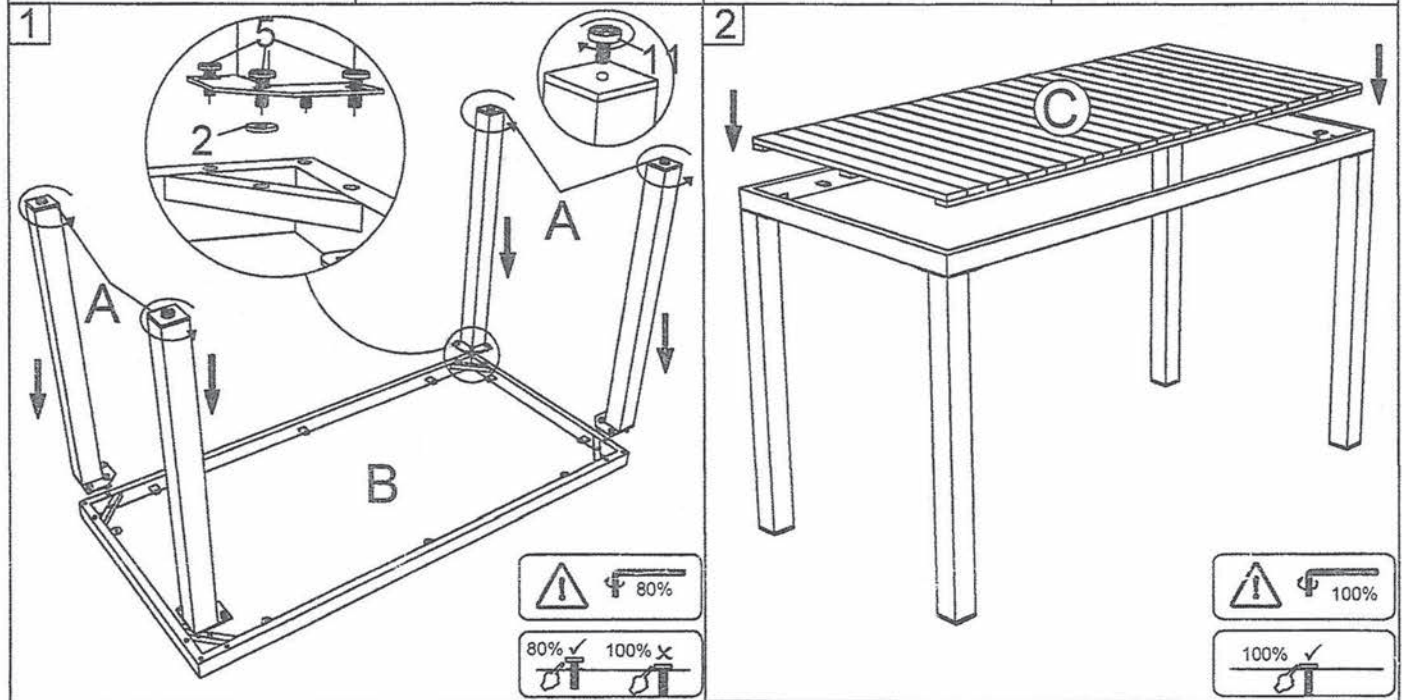


Amalfi
IND-70192-CASD

TABLE


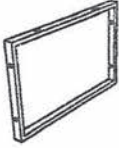

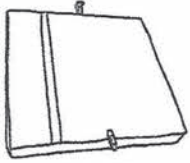

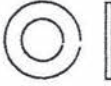

Spare part list

<p>A x 4pcs</p> 	<p>B x 1pc</p> 	<p>C x 1pc</p> 	<p>① x 1pc</p>  <p>M4</p>
<p>② x 4pcs</p> 	<p>⑤ x 12 pcs</p>  <p>M6 x 15</p>	<p>⑪ x 4pcs</p> 	

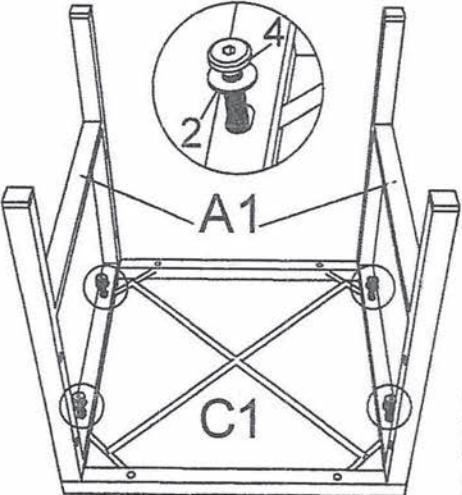


OTTOMAN

Spare part list


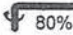
<p>A1x 6 pcs</p> 	<p>B1x 6 pcs</p> 	<p>C1x 3pcs</p> 	<p>D1x 3pcs</p> 
<p>① x 1 pc</p>  <p>M4</p>	<p>② x16pcs x 3</p> 	<p>④ x 16pcs x 3</p>  <p>M6 x 30</p>	


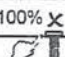
1



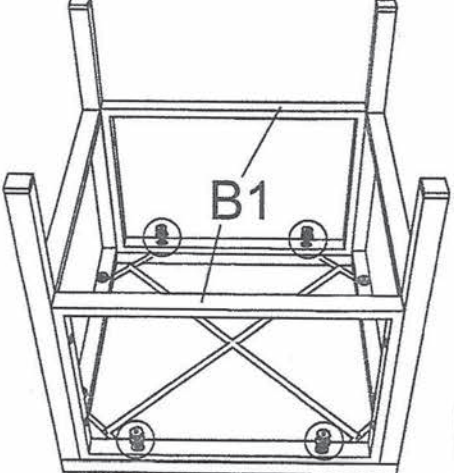
A1

C1


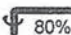



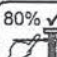
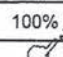



2

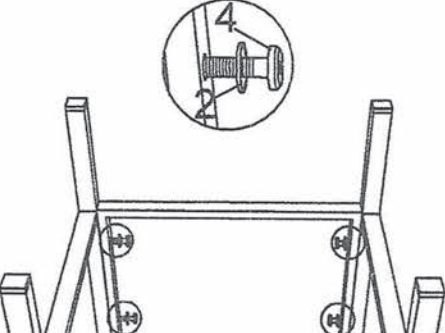




B1

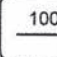




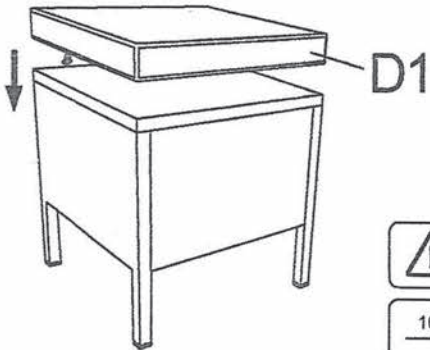
3








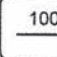




4

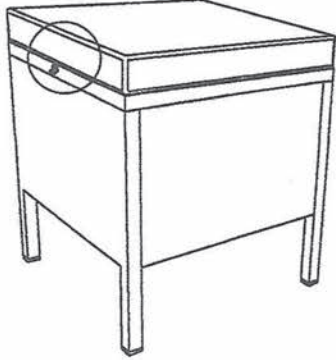
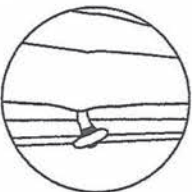


D1

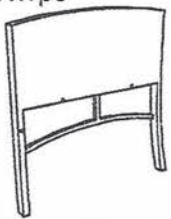
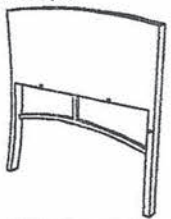
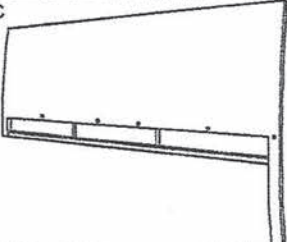
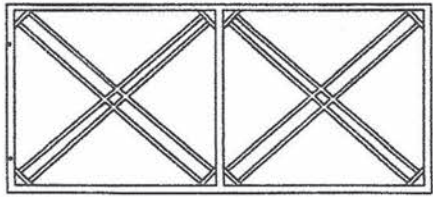

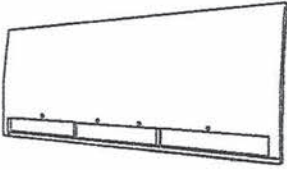
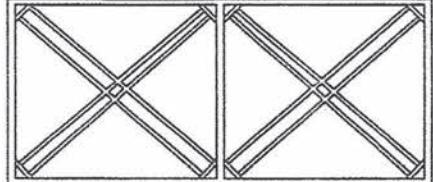

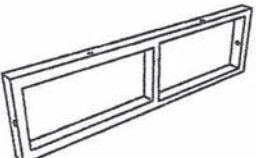
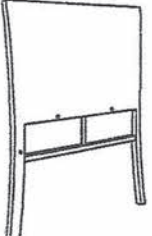










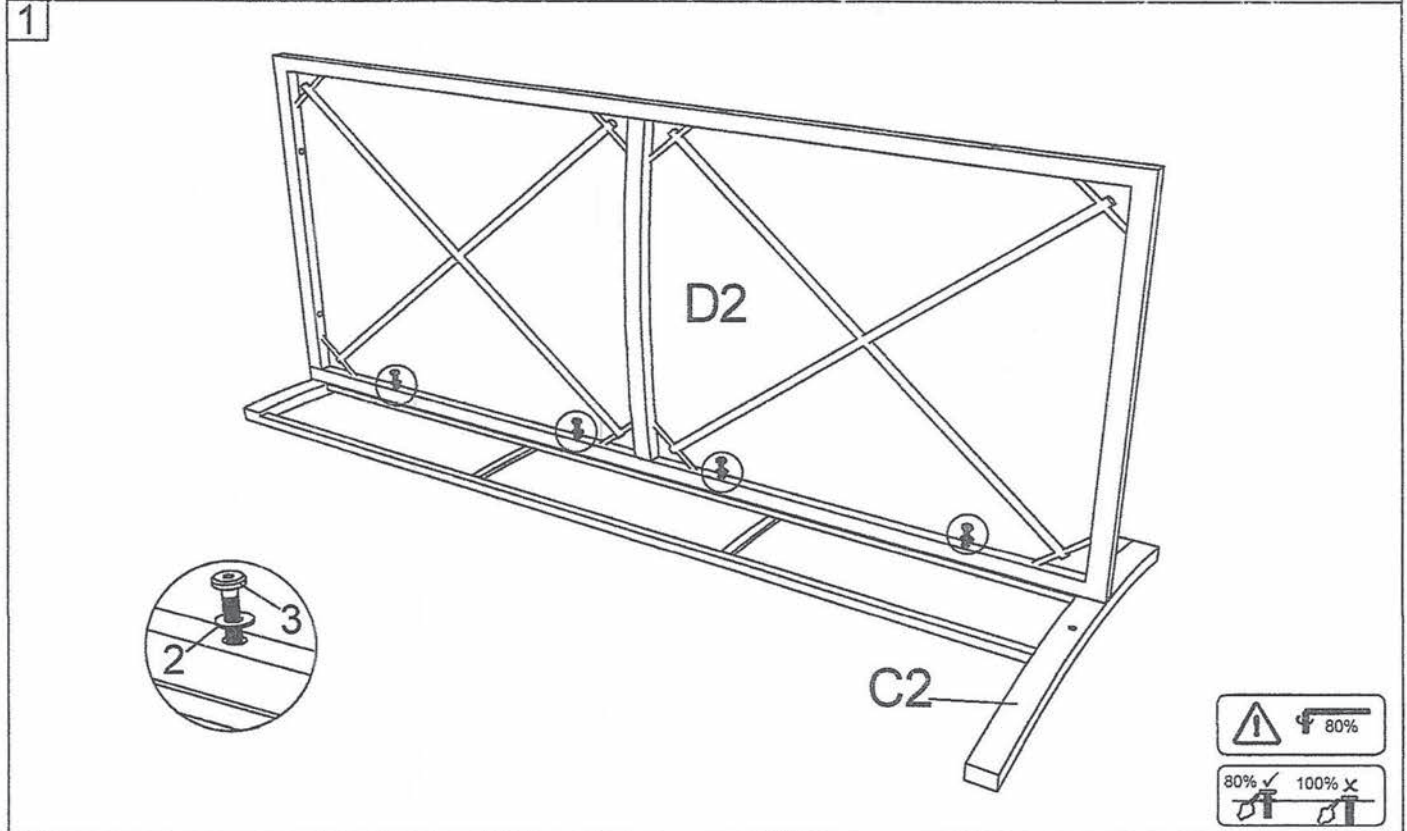
5

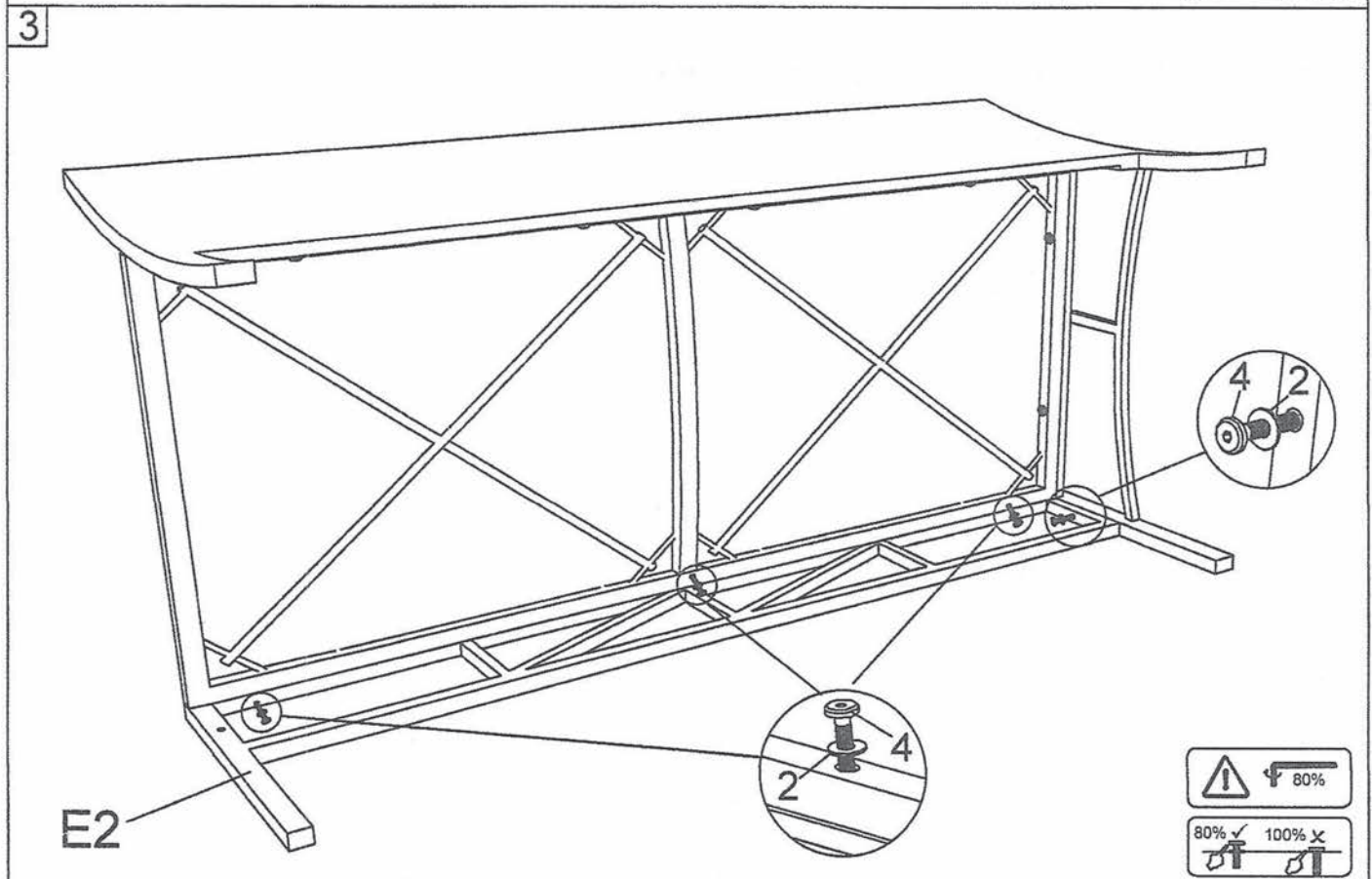
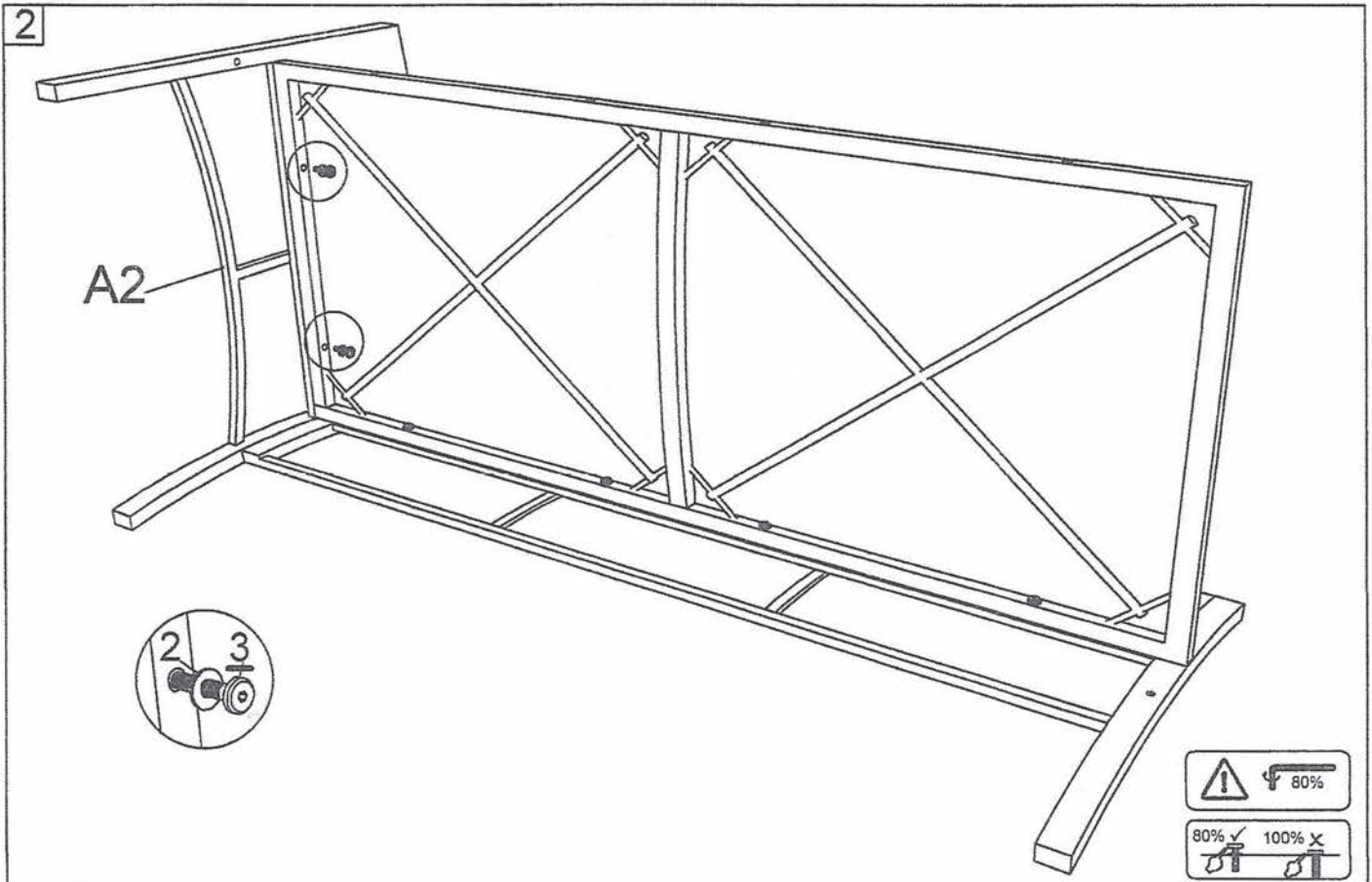
RIGHT BENCH & LEFT BENCH

Spare part list

A2 x1pc 	B2 x1pc 	C2 x1pc 	D2 x1pc 	
E2 x1pc 	G2 x1pc 	H2 x1pc 		
F2 x1pc 				
I2 x1pc 	J2 x1pc 	L2 x2pcs 	M2 x4pcs 	
① x 1  M4	② x 33 pcs 	③ x 14 pcs  M6 x 40	④ x 16 pcs  M6 x 30	⑥ x 3 pcs  M6 x 50

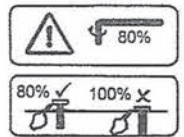
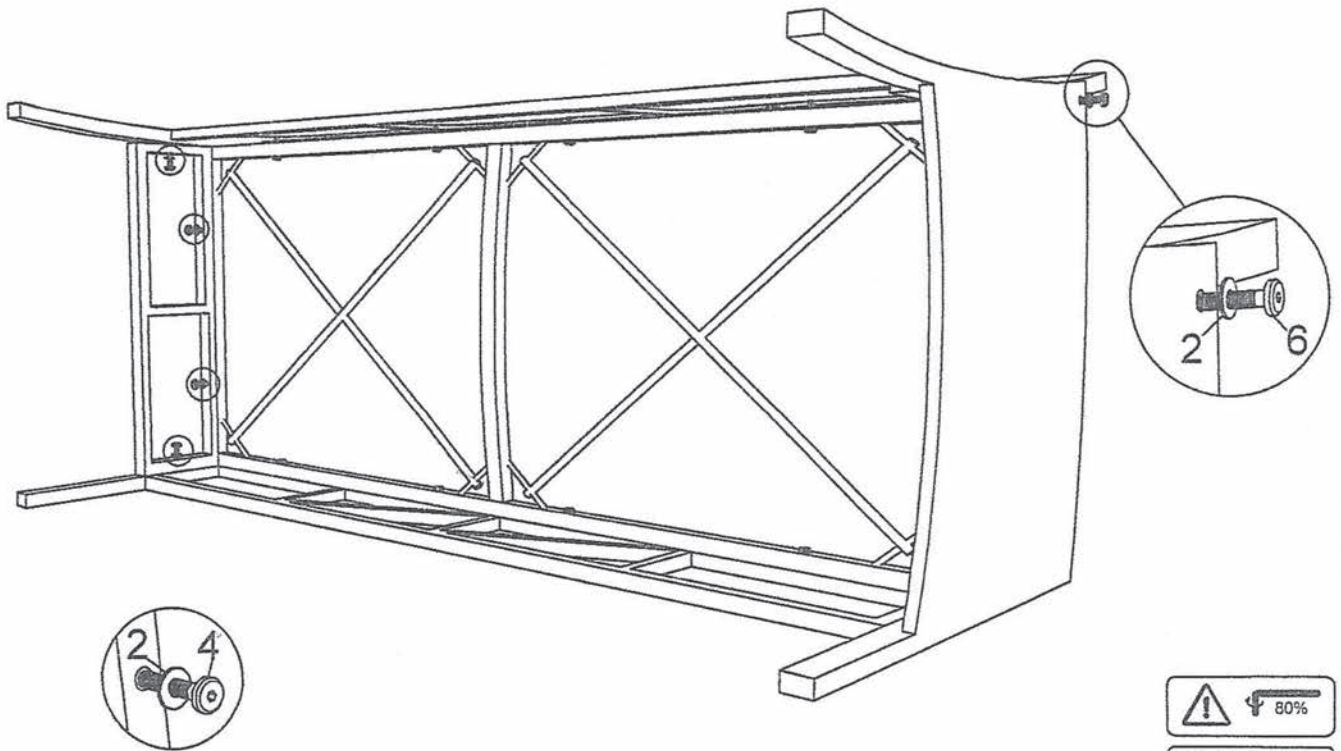


ASSEMBLY INSTRUCTIONS LEFT BENCH

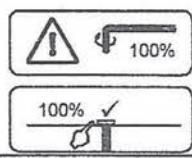
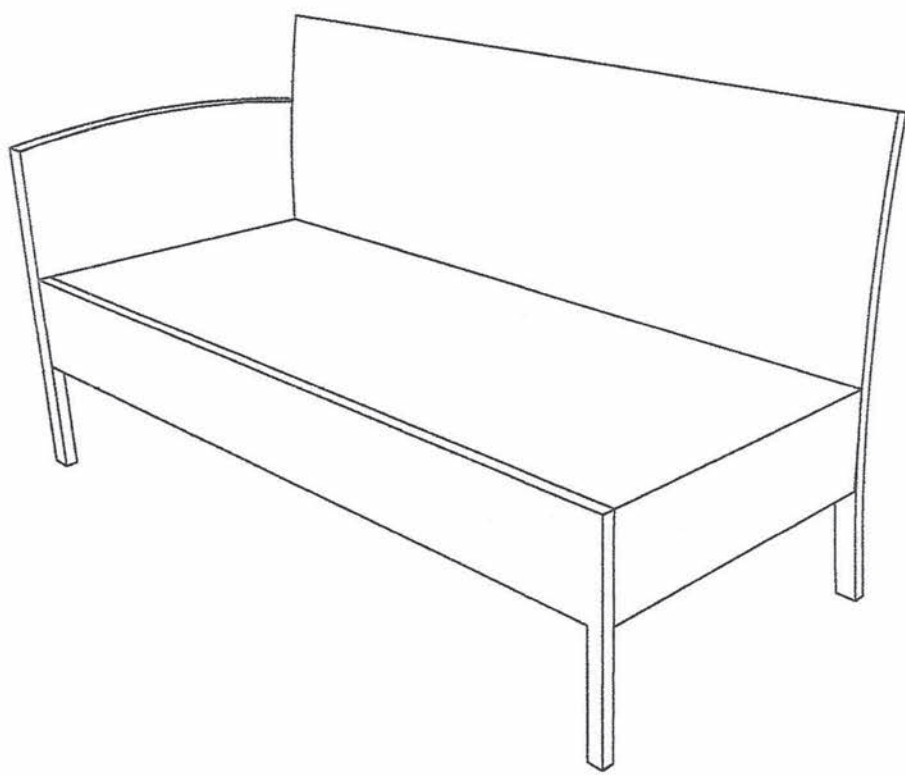


ASSEMBLY INSTRUCTIONS LEFT BENCH

4

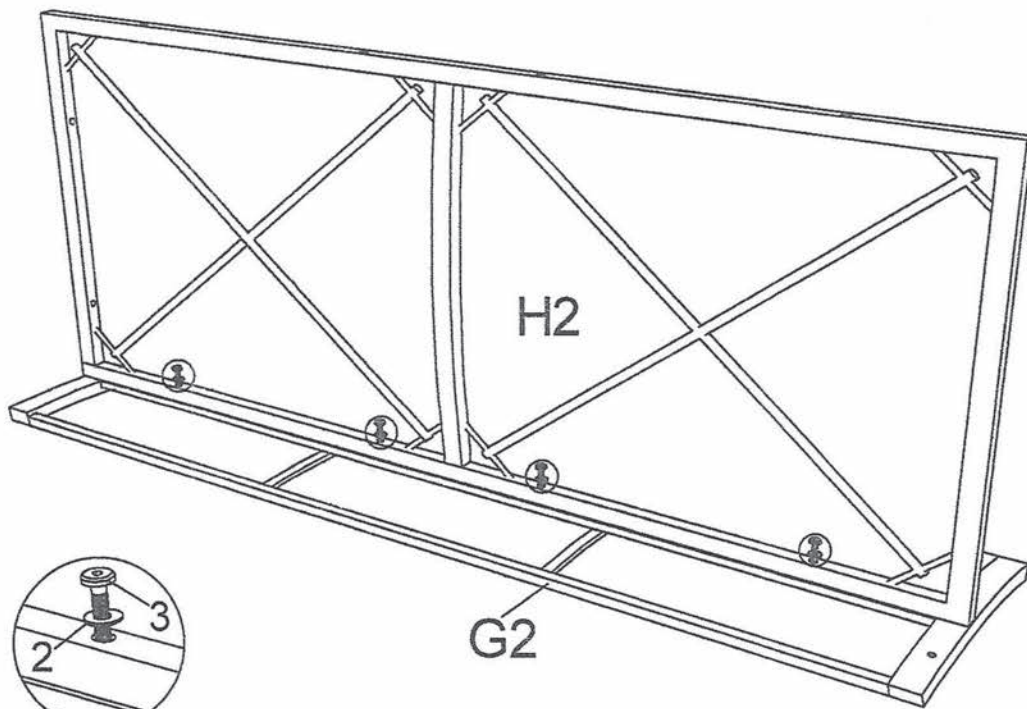


5

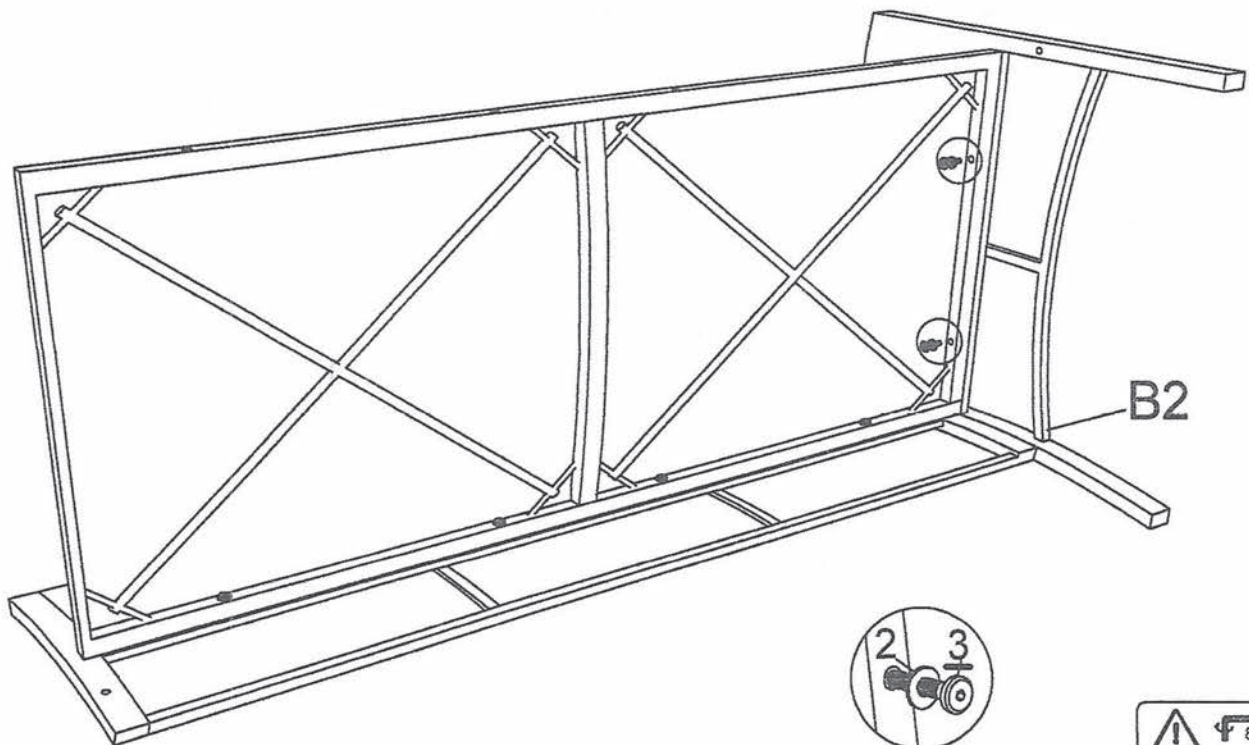


ASSEMBLY INSTRUCTIONS RIGHT BENCH

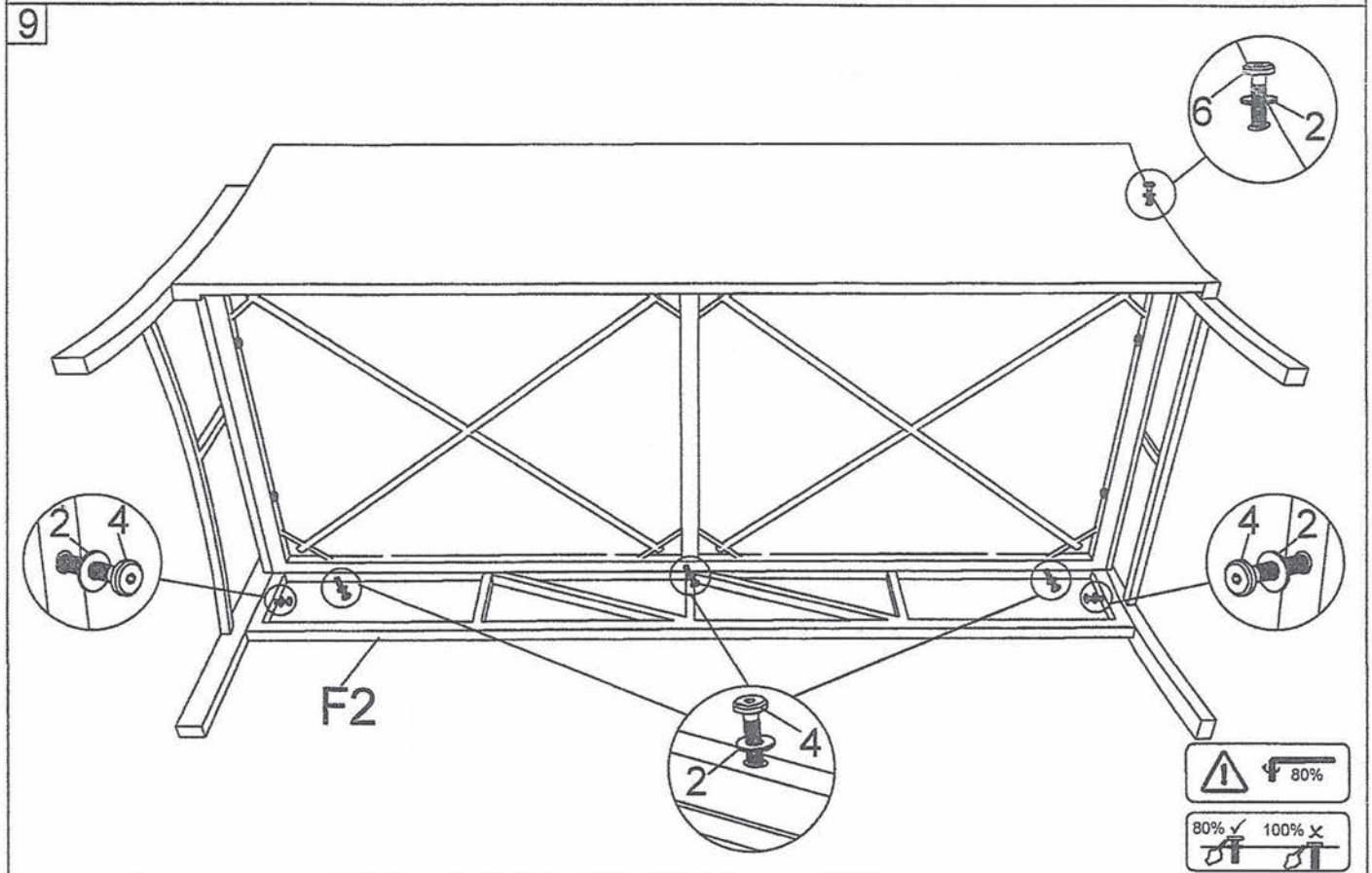
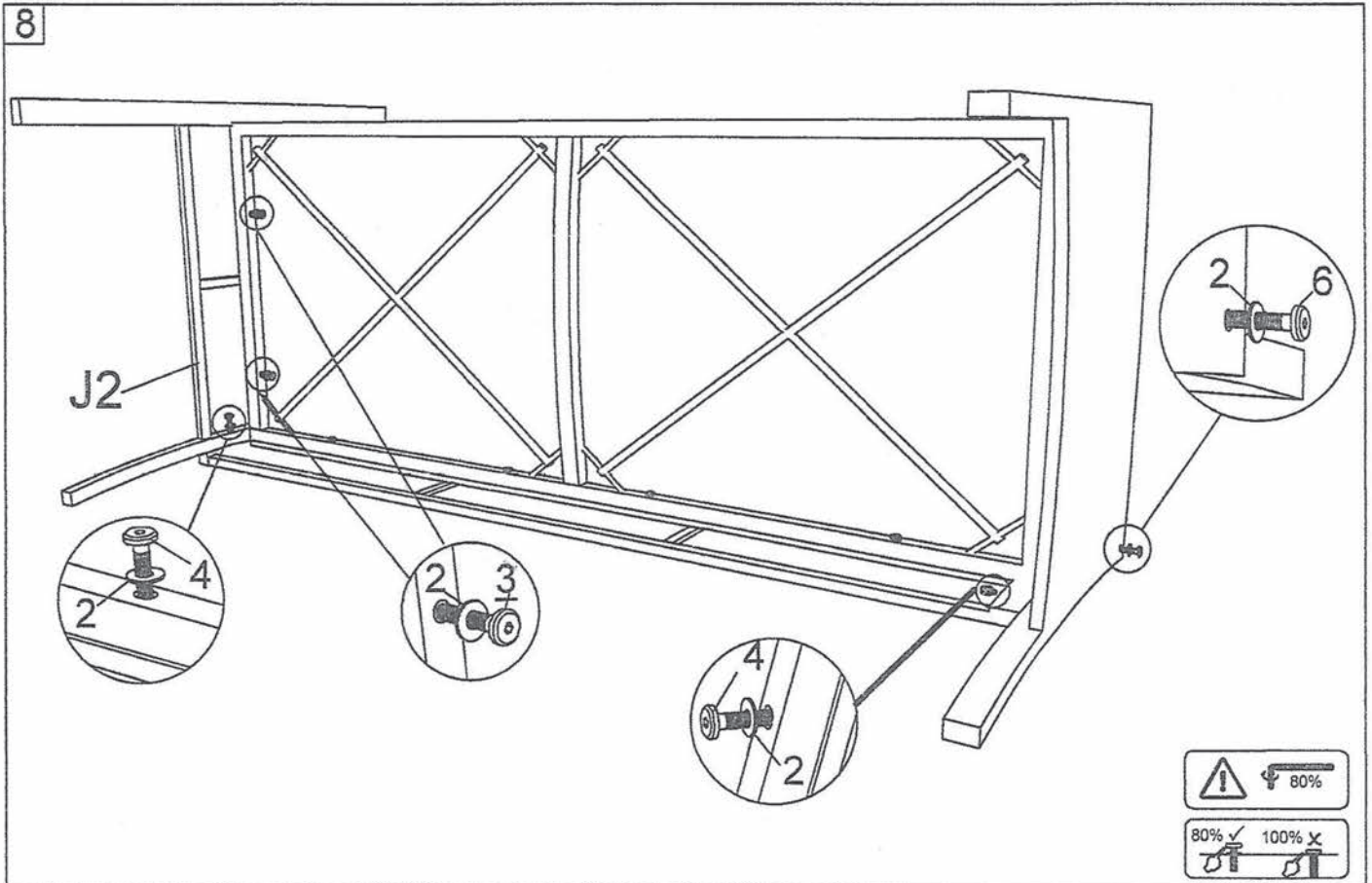
6



7



ASSEMBLY INSTRUCTIONS RIGHT BENCH



ASSEMBLY INSTRUCTIONS

RIGHT BENCH

