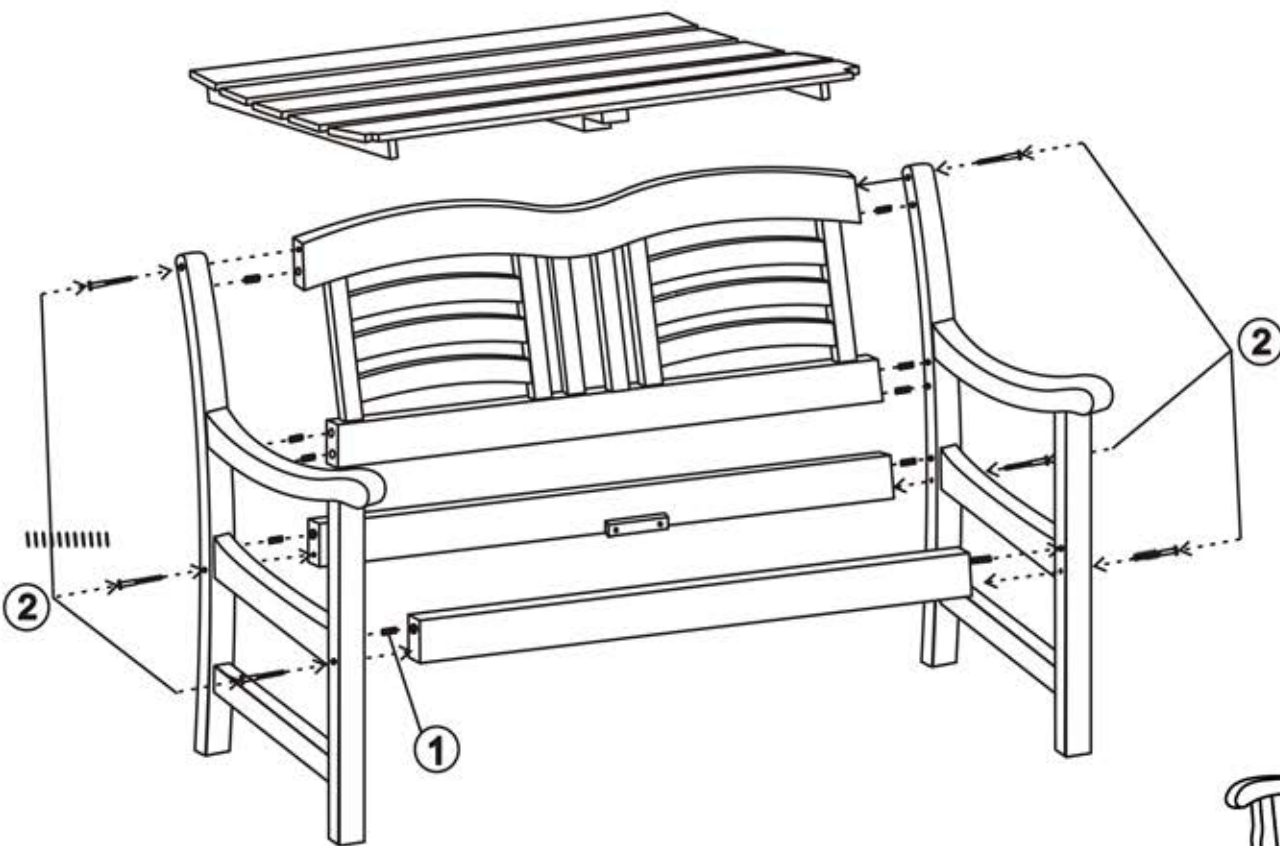




ASSEMBLY INSTRUCTION



①  (Ø 10 x 40) mm x 10 Pcs

②  (M7 x 90) mm x 6 Pcs

③  (M4 x 35) mm x 2 Pcs

 1 Pcs

